

GSA+

伺服刀塔 Servo Turret



NEW



特性 / Features:

- 全系列採用 3 片離合齒及油壓鎖緊耐用性高適合重切削。
- 使用三菱馬達、驅動器為動力源，來驅動刀盤旋轉，動作快速轉一刀位只需 0.1 秒，**定點精度可達 0.01mm**。
- 可接受 OEM/ODM 訂單製作。
- All series use 3 pieces Hirth Coupling & Hydraulic Clamp/Unclamp System suitable for heavy cutting with long term operation.
- Driving source per Mitsubishi servo motor/drive to Rotate Tool Disc. index time per station only need 0.1 Sec. **position accuracy :0.01mm.**
- Accepted OEM/ODM orders.

規格表 / Specification

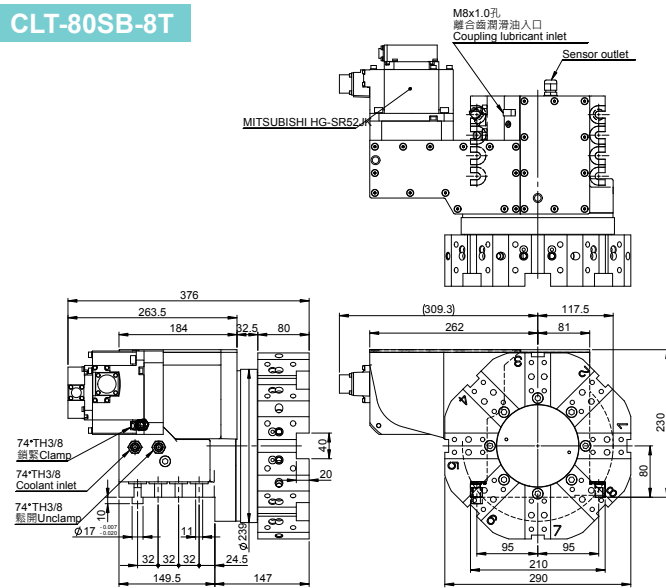
型號 Model		CLT-80SB		CLT-100SB		CLT-125SB		CLT-160SA		CLT-200SB	
刀數 Allowed number of tools	N	8	12	8	12	8	12	8	12	8	12
中心高 Center height	mm	80		100		125		160		200	
刀盤尺寸 Tool disc size	mm	290	340	330	420	420	420	480	480	483	600
鎖緊力 Clamping force	kgf	2646		3842		5724		8790		13900	
轉一刀並鎖緊時間 Rotation and clamping	Sec.	0.57	0.54	0.78	0.72	0.76	0.7	0.97	0.9	1.31	1.23
轉最遠刀並鎖緊時間 Total indexing time for 180° (include clamping)	Sec.	0.87		1.34		1.32		1.6		1.98	
油壓壓力 Hydraulic working pressure	kgf/m ²	35		35		35		35		35	
流量 Flow rate	L/min	20		20		30		30		30	
分割精度 Indexing accuracy	Sec.	±2"	±2"	±2"	±2"	±2"	±2"	±2"	±2"	±2"	±2"
重複精度 Accuracy of repeatability	Sec.	±1"	±1"	±1"	±1"	±1"	±1"	±1"	±1"	±1"	±1"
伺服馬達形號 Servo motor model		MITSUBISHI HG-SR52JK		MITSUBISHI HG-SR102JK		MITSUBISHI HG-SR102JK		MITSUBISHI HG-SR102JK		MITSUBISHI HG-SR81JK	
齒數比 Gear ratio for rotating		24:1		45:1		45:1		45:1		24:1	
馬達額定扭力 Motor stalling torque	Nm	2.4		4.8		4.8		4.8		8.1	
離合齒外徑 / 型態 Diameter of coupling type	mm	Ø125 / 3pcs		Ø150 / 3pcs		Ø180 / 3pcs		Ø230 / 3pcs		Ø270 / 3pcs	

◆ 以上所列規範旭陽公司保留規格修改權力，客戶可提出需求規格另定規格協議。

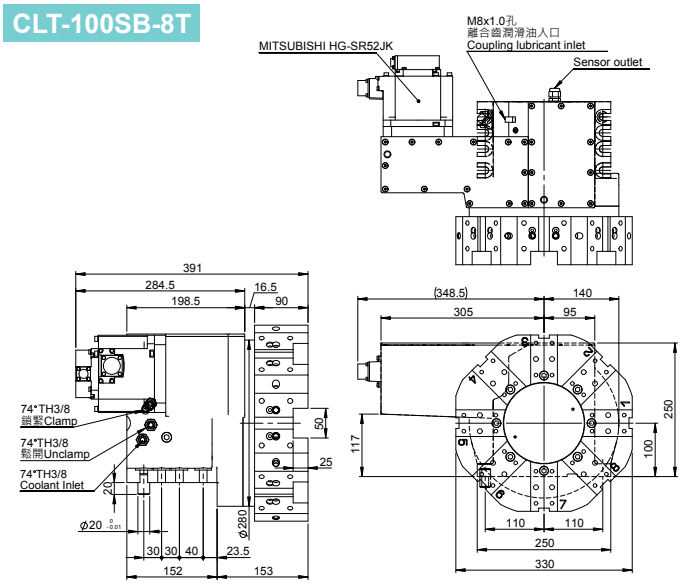
◆ GSA remains the right of modification. All specifications can be modified according to customers' requirement.

外觀尺寸圖 / Dimension

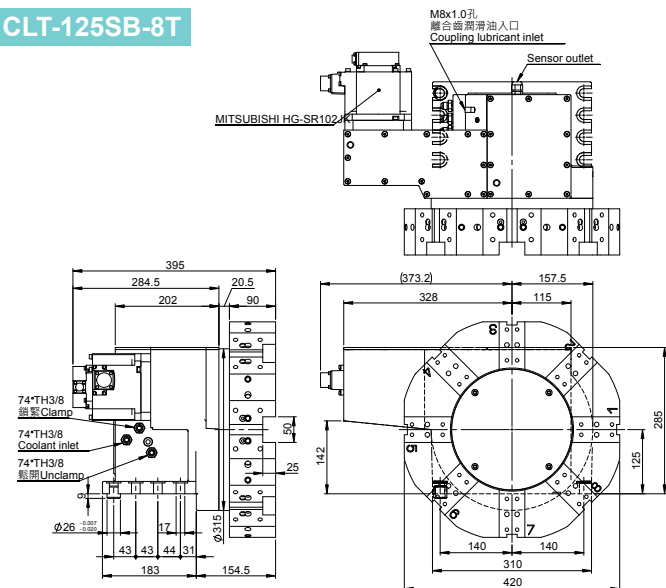
CLT-80SB-8T



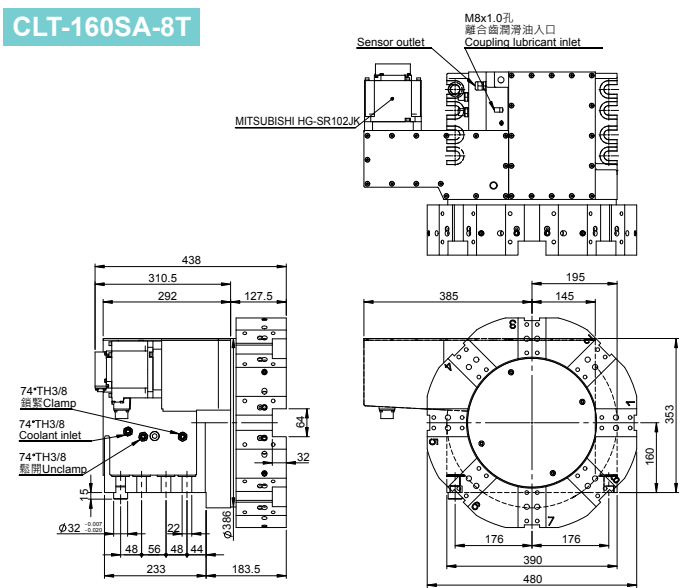
CLT-100SB-8T



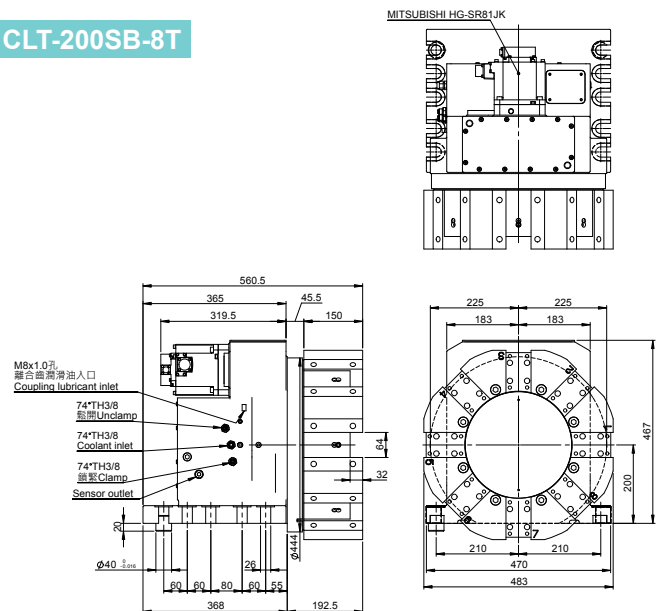
CLT-125SB-8T



CLT-160SA-8T



CLT-200SB-8T



GSA+

旭陽國際精機股份有限公司

42052 台中市豐原區豐南街 66 巷 67 弄 81 號

GSA TECHNOLOGY CO., LTD.

No. 81, Alley 67, Lane 66, Feng-Nan St.,

Feng-Yuan, Taichung, TAIWAN

TEL:+886-4-25377888

FAX:+886-4-25368899

E-MAIL:goldensn@ms7.hinet.net

<http://www.gsaplus.com.tw>